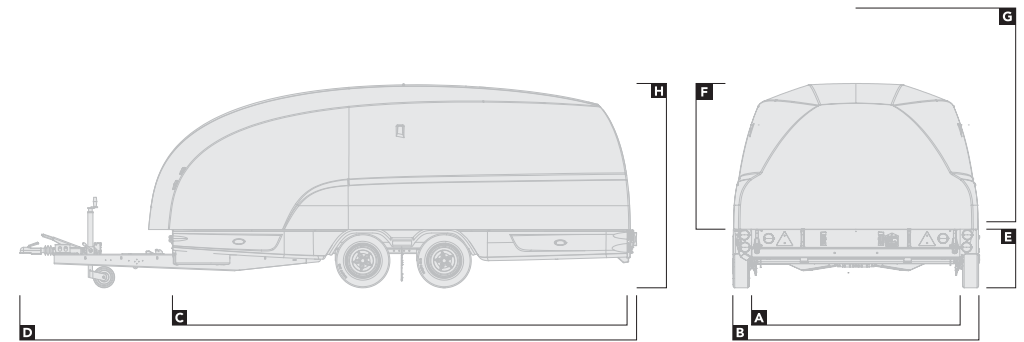


Race Shuttle 2



Overview

		300-1010	300-1011
DIMENSIONS		dimensions in metres	
Bed width	A	1.95	1.95
Overall width	B	2.31	2.31
Bed length	C	4.3	4.3
Overall length	D	5.82	5.82
Bed height	E	0.42	0.42
Internal height	F	1.53	1.53
Door aperture height	G	2.4	2.4
Overall height	H	1.94	1.94
CAPACITY		weight in kg	
Gross capacity		2,600	2600
Load capacity		1,785	1,765

Load capacity will vary depending on options fitted - For accurate information on weights and pricing, use our interactive configurator at www.brianjamestrailers.co.uk

Equipment

		300-1010	300-1011
EXTERIOR		● Standard ○ Option – Not available	
	Full LED lighting	●	●
LOADING			
	Loading ramps - 2.5m	●	●
	Manual / Electric winch	○	○
	Manual tilt-bed	–	●
LOAD RESTRAINT			
	Tie-down straps	○	○
	Wheel chocks / Stop bar	○	○
RUNNING GEAR			
	Alloy wheels - Silver or Anthracite	○	○
	Locking hitch	●	●
	Spare wheel	●	●
STORAGE			
	Tyre rack	○	○